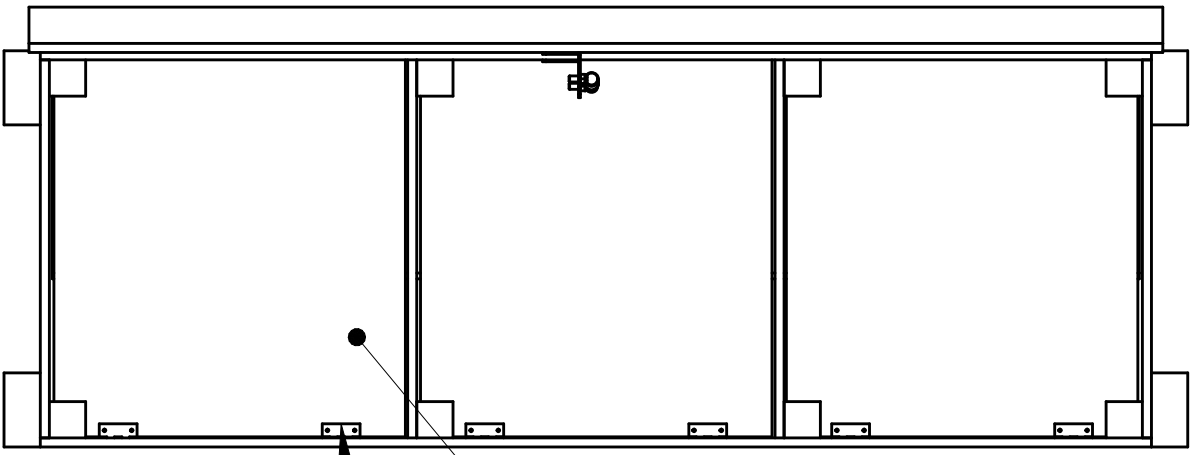


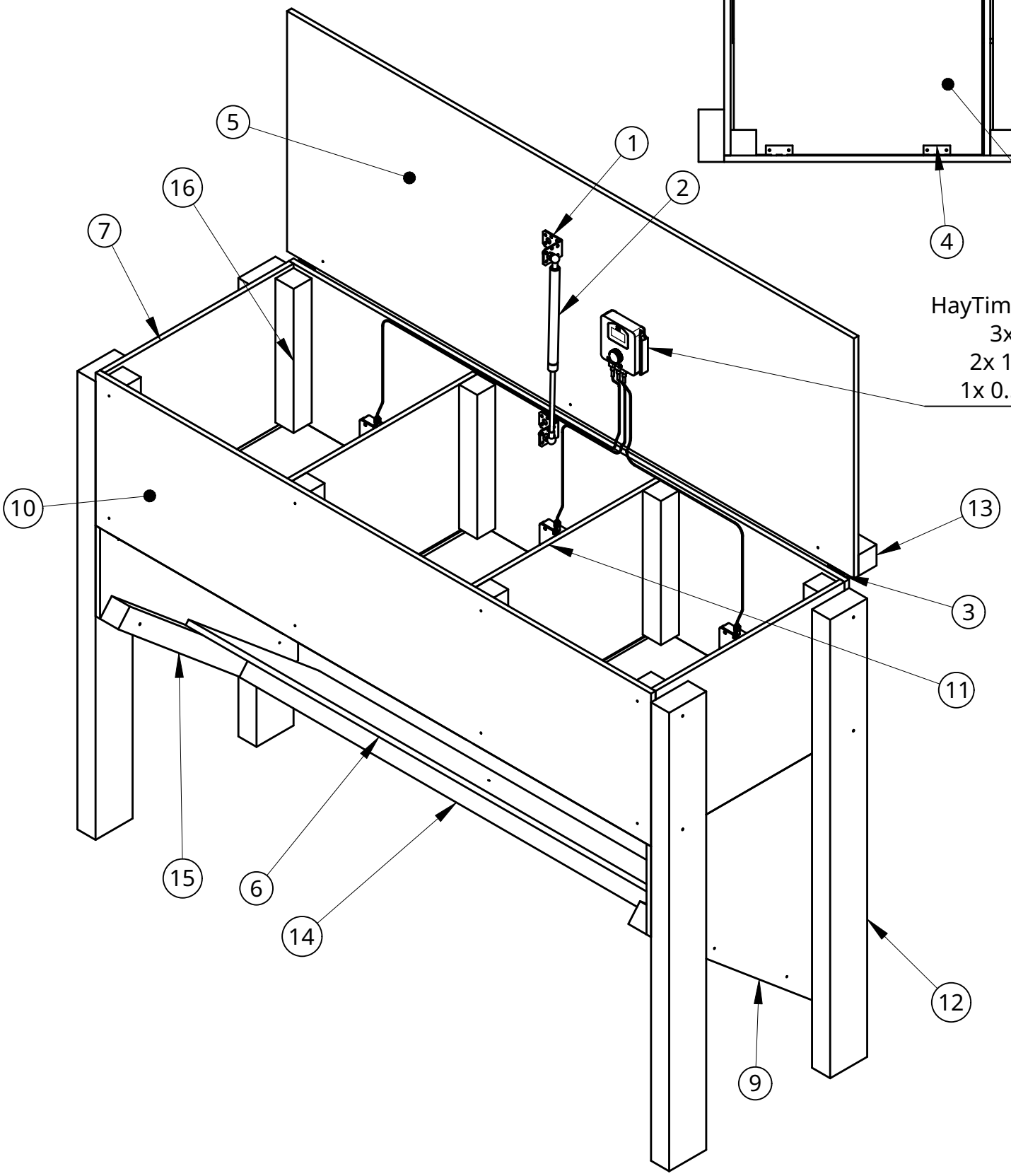
Designed to be used with 1x HayTime Controller

TOP VIEW



Screws:
4x50 200pcs
3x12 100pcs

HayTime Controller
3x Locks
2x 1m Cable
1x 0.5m Cable



Item	Quantity	Part number	Description
1	2	Angle Bracket	50x50x35
2	2	Gas Spring	KS0116V
3	2	Hinge	Hinge 40x130
4	6	Hinge	Hinge 50x40
5	1	PW-1	Plywood 1500x550 T=12mm
6	1	PW-2	Plywood 1438x450 T=12mm
7	2	PW-3	Plywood 500x350 T=12mm
8	3	PW-4	Plywood 500x465 T=12mm
9	2	PW-5	Plywood 524x566 T=12mm
10	2	PW-6	Plywood 1470x350 T=12mm
11	2	PW-7	Plywood 500*335mm T=12mm
12	4	W-1	Wood 98x48 L=1050mm
13	1	W-2	Wood 48x48 L=1500mm
14	1	W-3	Wood 48x48 L=1340mm
15	2	W-4	Wood 48x48 L=650mm
16	8	W-5	Wood 48x48 L=330mm

Drawn by		DATE		TITLE	
HayTime Oy		03/31/2026		DIY HayBox Horizontal 3 Hay Releases	
UNLESS OTHERWISE SPECIFIED, DIMENSIONS ARE IN MILLIMETERS		SIZE	DWG NO.	REV.	
		A3	Horizontal 3	A	
		SCALE	WEIGHT	SHEET	
		1:10		1 of 10	

6 5 4 3 2 1

D

D

C

C

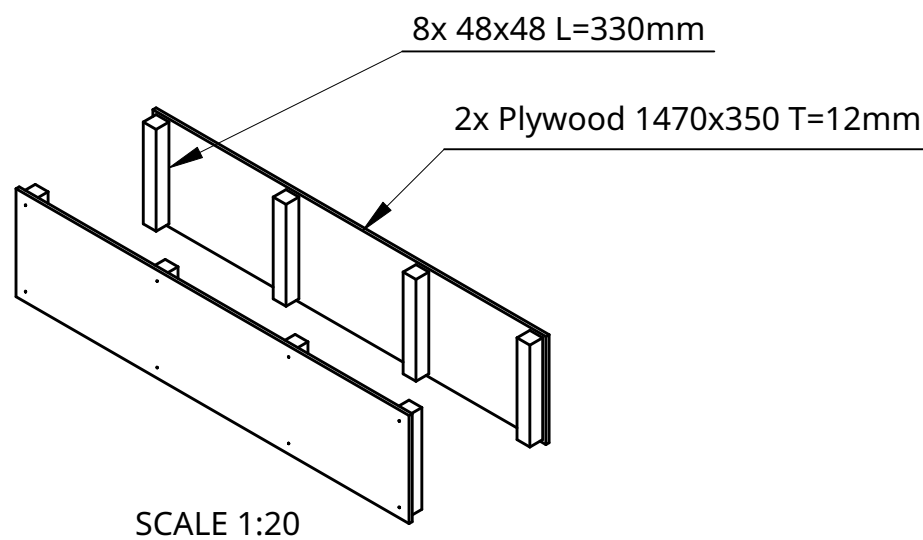
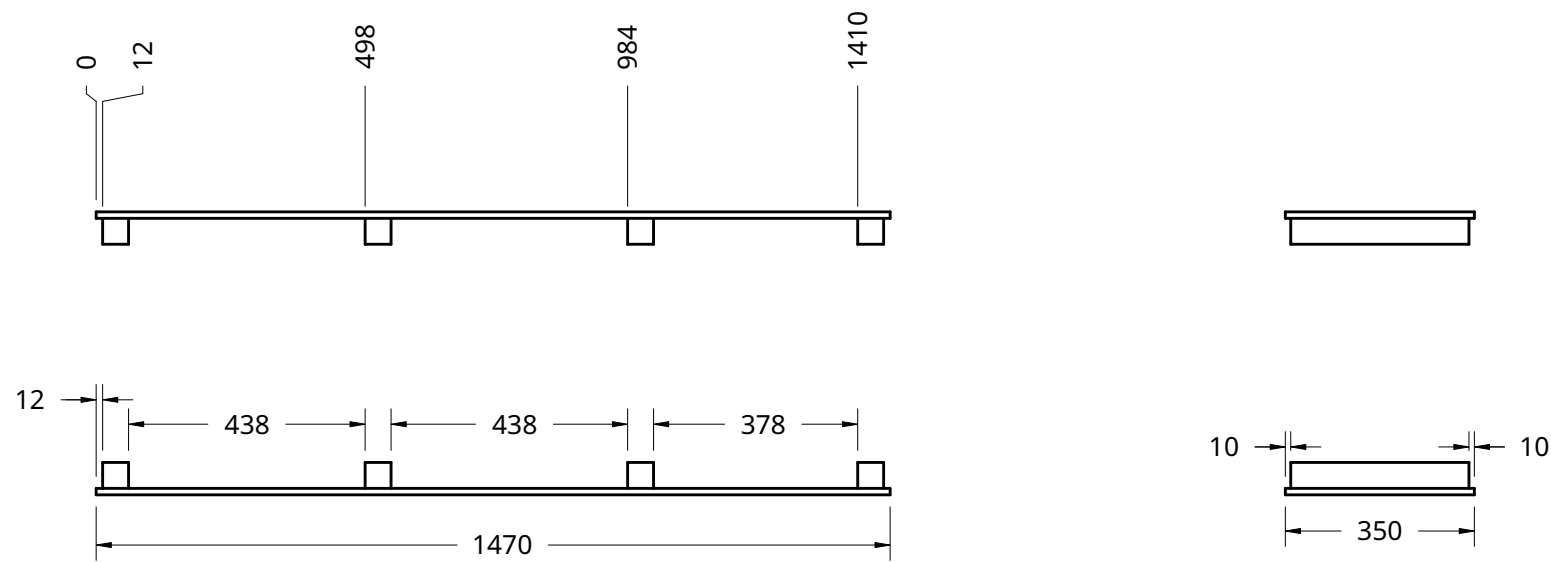
B

B

A

A

STEP 1



Use screws with a max length of 55mm. Pre-drill holes trough plywood before screwing trough.

Drawn by		DATE		TITLE	
HayTime Oy		03/31/2026		DIY HayBox Horizontal 3 Hay Releases	
UNLESS OTHERWISE SPECIFIED, DIMENSIONS ARE IN MILLIMETERS		SIZE	DWG NO.		REV.
		1:14	Horizontal 3		A
SCALE		WEIGHT		SHEET	
1:14				2 of 10	

6 5 4 3 2 1

6

5

4

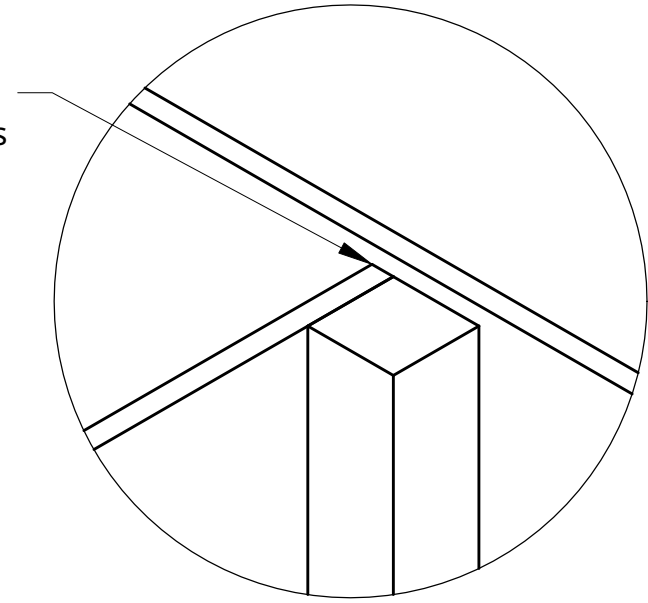
3

2

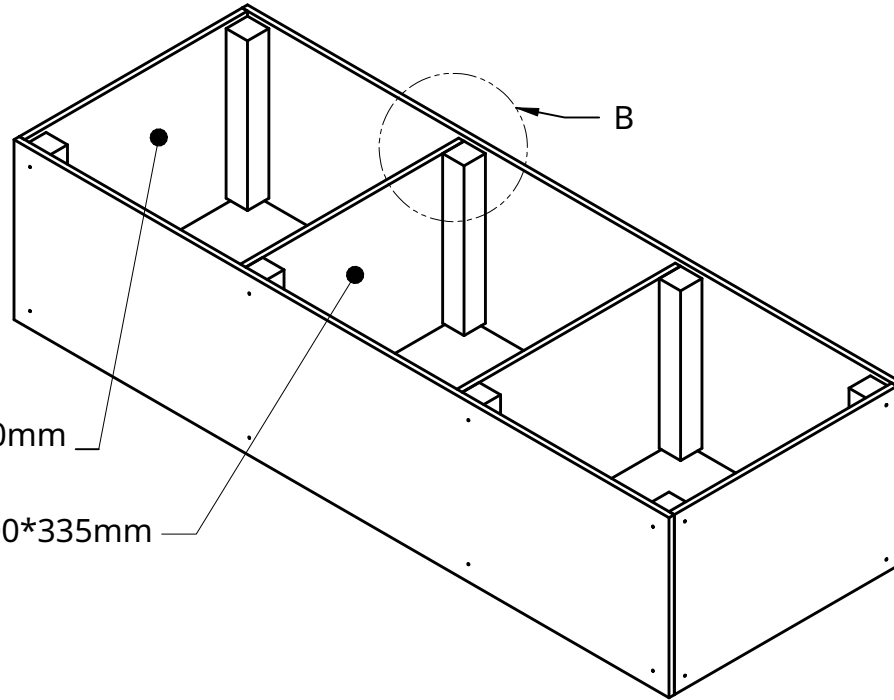
1

STEP 2

Attach the plywoods
in the middle so that there
is clearance for controller cables



DETAIL B
SCALE 1:3



2x Plywood 500*350mm

2x Plywood 500*335mm

SCALE 1:12

Use screws with a max length of 55mm. Pre-drill holes
through plywood before screwing trough.

TITLE		DIY HayBox Horizontal 3 Hay Releases		
Drawn by	DATE	SIZE	DWG NO.	REV.
MARKO RIDAL HayTime Oy	03/31/2026		Horizontal 3	A
SCALE 1:14		WEIGHT	SHEET 3 of 10	

UNLESS OTHERWISE
SPECIFIED, DIMENSIONS ARE
IN MILLIMETERS

6

5

4

3

2

1

D

D

C

C

B

B

A

A

4

3

2

1

STEP 3

D

D

C

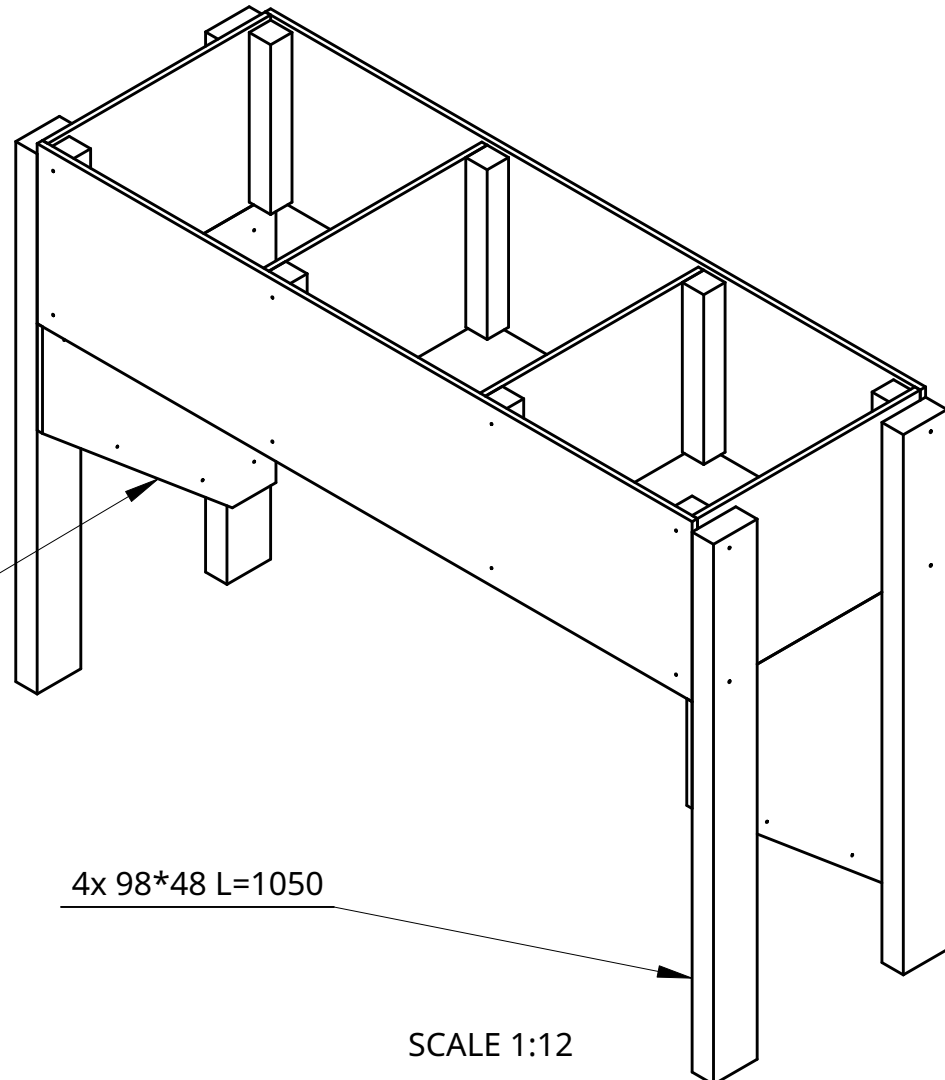
C

B

B

A

A



2x Plywood 524*566mm

4x 98*48 L=1050

SCALE 1:12

Use screws with a max length of 55mm. Pre-drill holes through plywood before screwing trough.

4

3

2

1

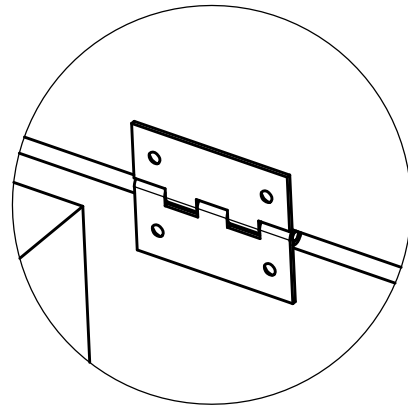
4

3

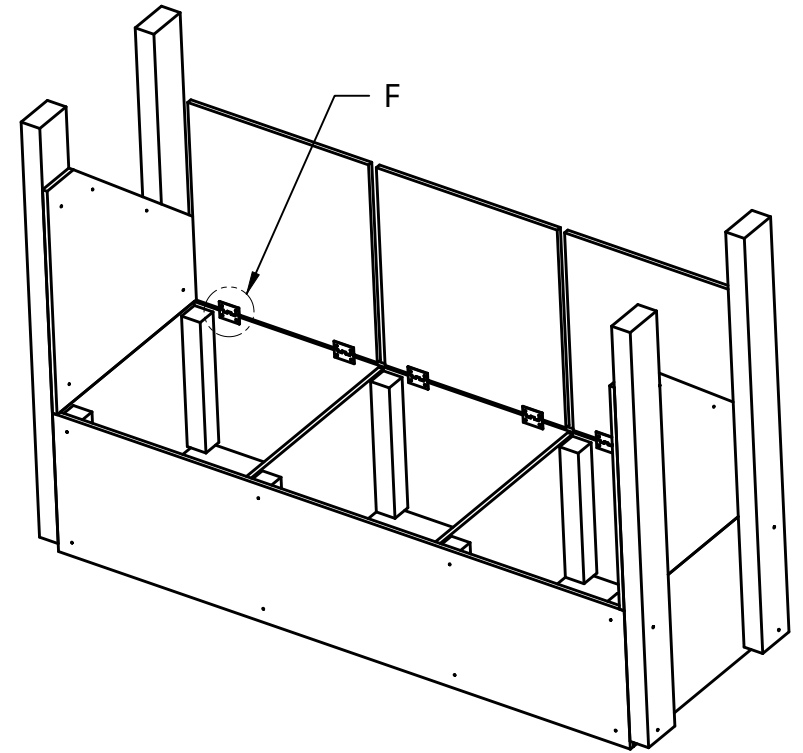
2

1

STEP 4



DETAIL F
SCALE 1:2



D

D

C

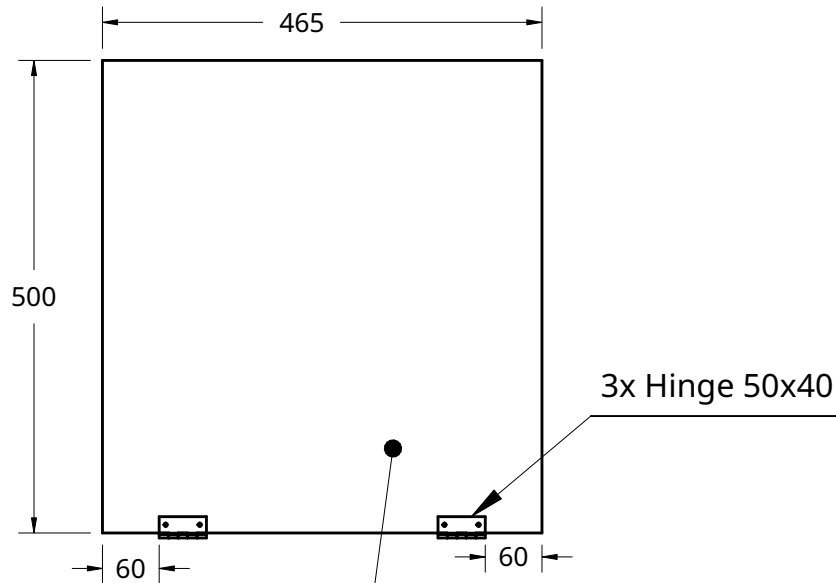
C

B

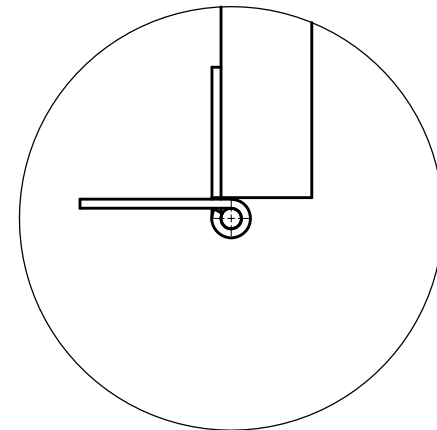
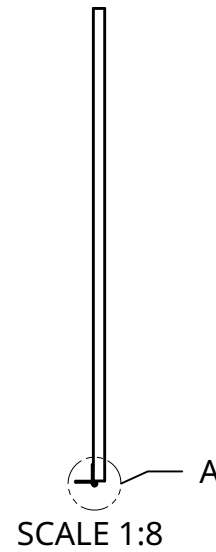
B

A

A



3x Plywood 500x465 T=12mm



DETAIL A
SCALE 1:1

For hinge assembly use screws with a max length of 12mm.

4

3

2

1

4

3

2

1

STEP 5

D

D

C

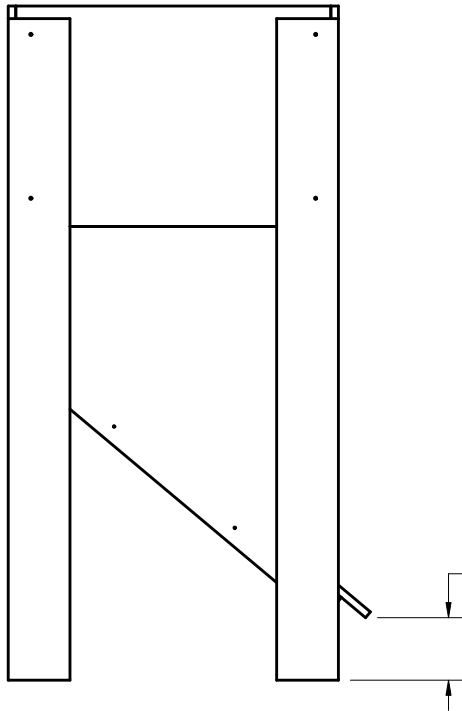
C

B

B

A

A



SCALE 1:12

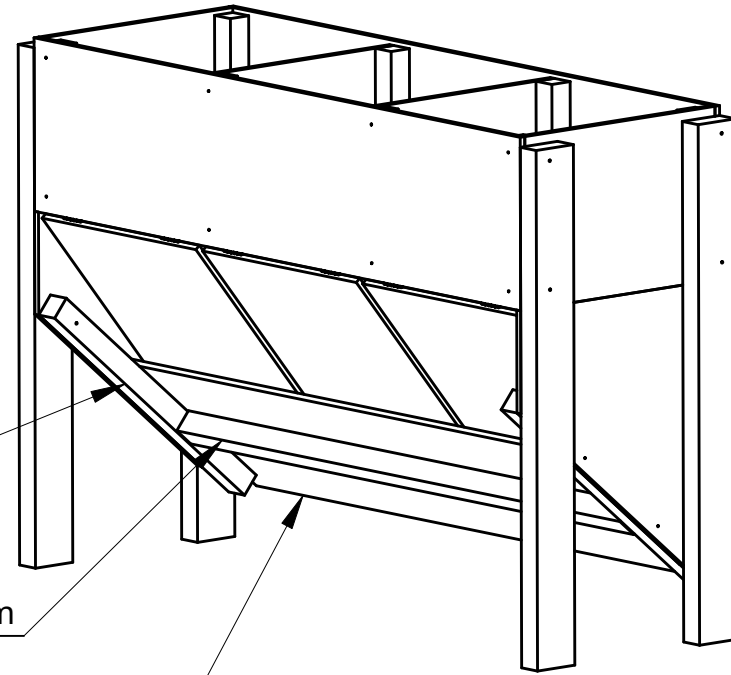
Use screws with a max length of 55mm. Pre-drill holes trough plywood before screwing trough.

2x 48*48 L=650

Wood 48x48 L=1340mm

Plywood 1438x450 T=12mm

Change this dimension based on your requirements



4

3

2

1

4

3

2

1

STEP 6

Plywood 1500x550 T=12mm

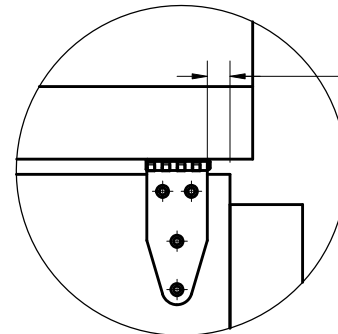
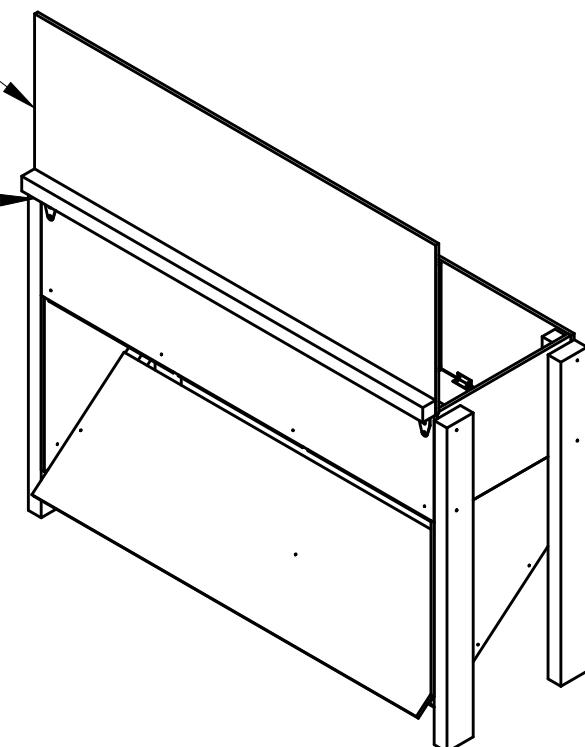
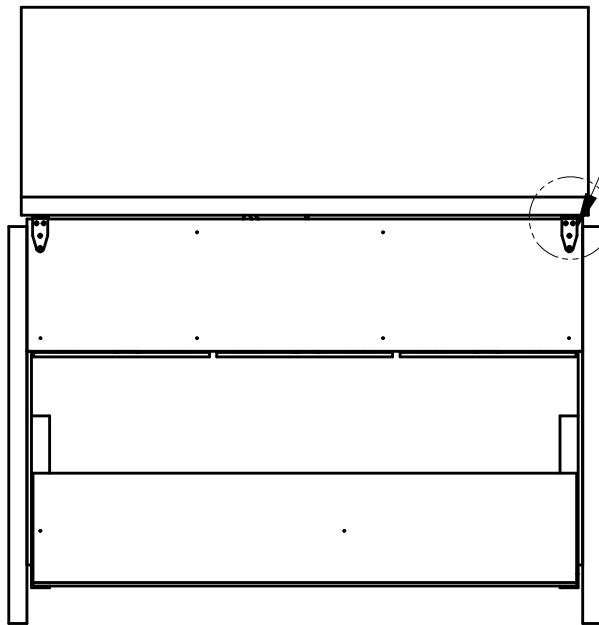
Wood 48x48 L=1500mm

2x Hinge 40x130

K

15

DETAIL K
SCALE 1:5



4

3

2

1

D

D

C

C

B

B

A

A

4

3

2

1

STEP 7

For plywood use screws with a max length of 12mm.

D

D

Length depends on the max stroke of the gas spring
160

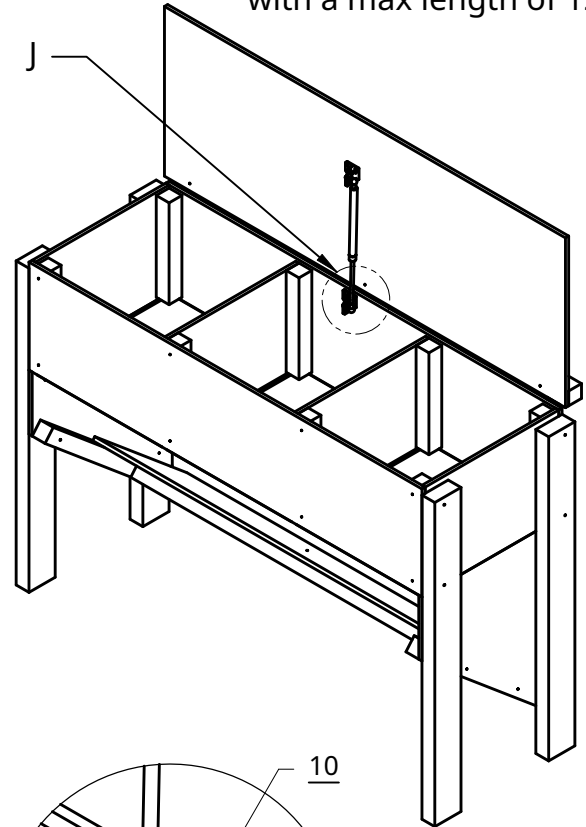
2x Angle Bracket
50x50x35

Gas Spring
400mm/150N
Stroke 157mm

DETAIL G
SCALE 1:8

C

C



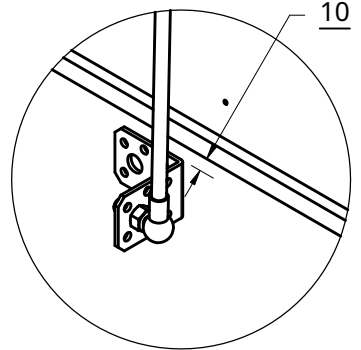
B

B

730

A

A



DETAIL J
SCALE 1:4

4

3

2

1

4

3

2

1

Horizontal 3 Cutlist A

D

D

C

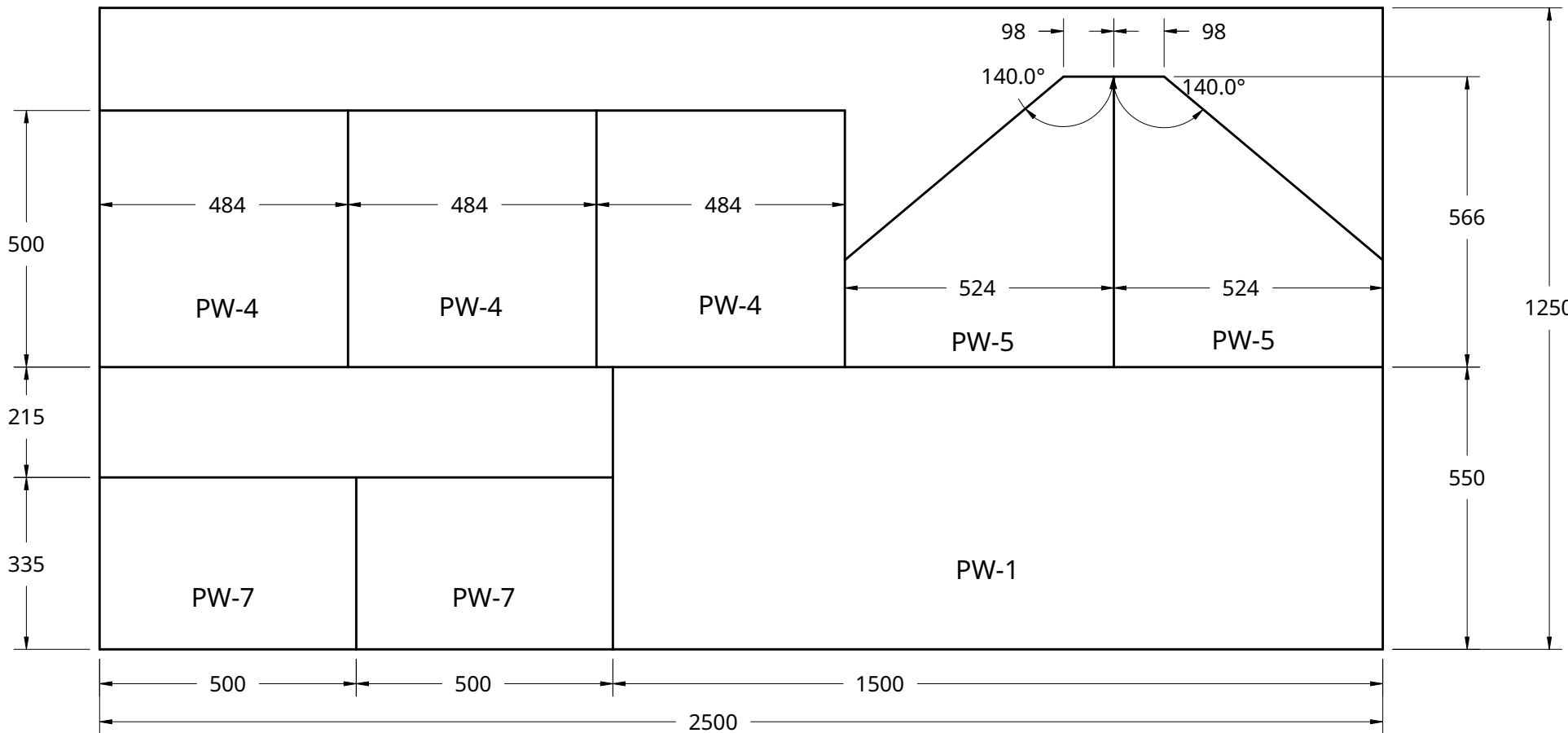
C

B

B

A

A



TITLE		DIY HayBox Horizontal 3 Hay Releases	
Drawn by	DATE	SIZE	DWG NO.
MARKO RIDAL HayTime Oy	03/31/2026		
UNLESS OTHERWISE SPECIFIED, DIMENSIONS ARE IN MILLIMETERS		SCALE	REV.
		1:12	A
		WEIGHT	SHEET
			9 of 10

4

3

2

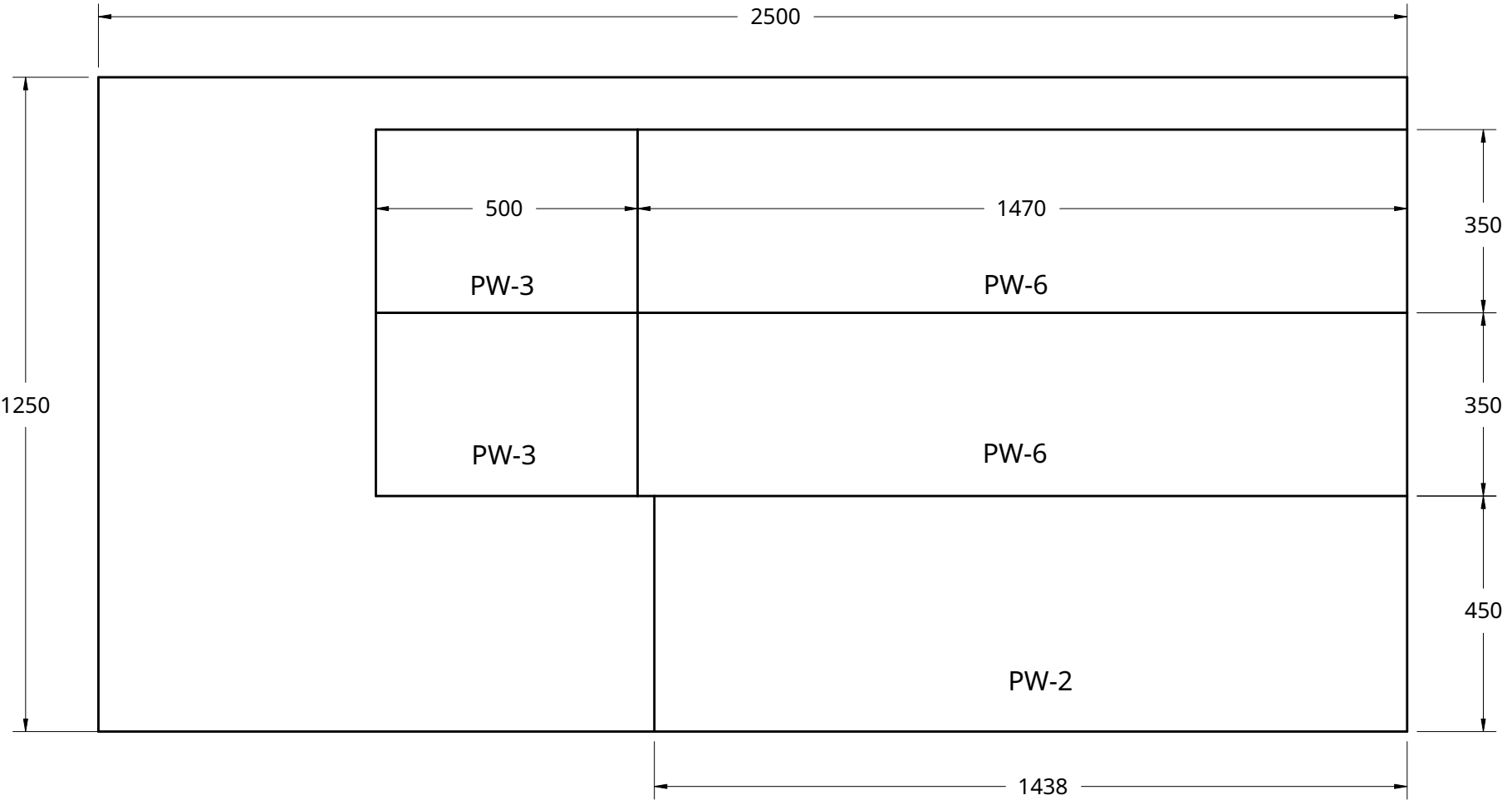
1

6 5 4 3 2 1

D
C
B
A

D
C
B
A

Horizontal 3 Cutlist B



6 5 4 3 2 1

Drawn by		DATE		TITLE	
MARKO RIDAL		03/31/2026		DIY HayBox	
HayTime Oy				Horizontal	
UNLESS OTHERWISE SPECIFIED, DIMENSIONS ARE IN MILLIMETERS		SIZE	DWG NO.	Horizontal 3	
		SCALE	WEIGHT	SHEET	REV
		1:12		10 of 10	A