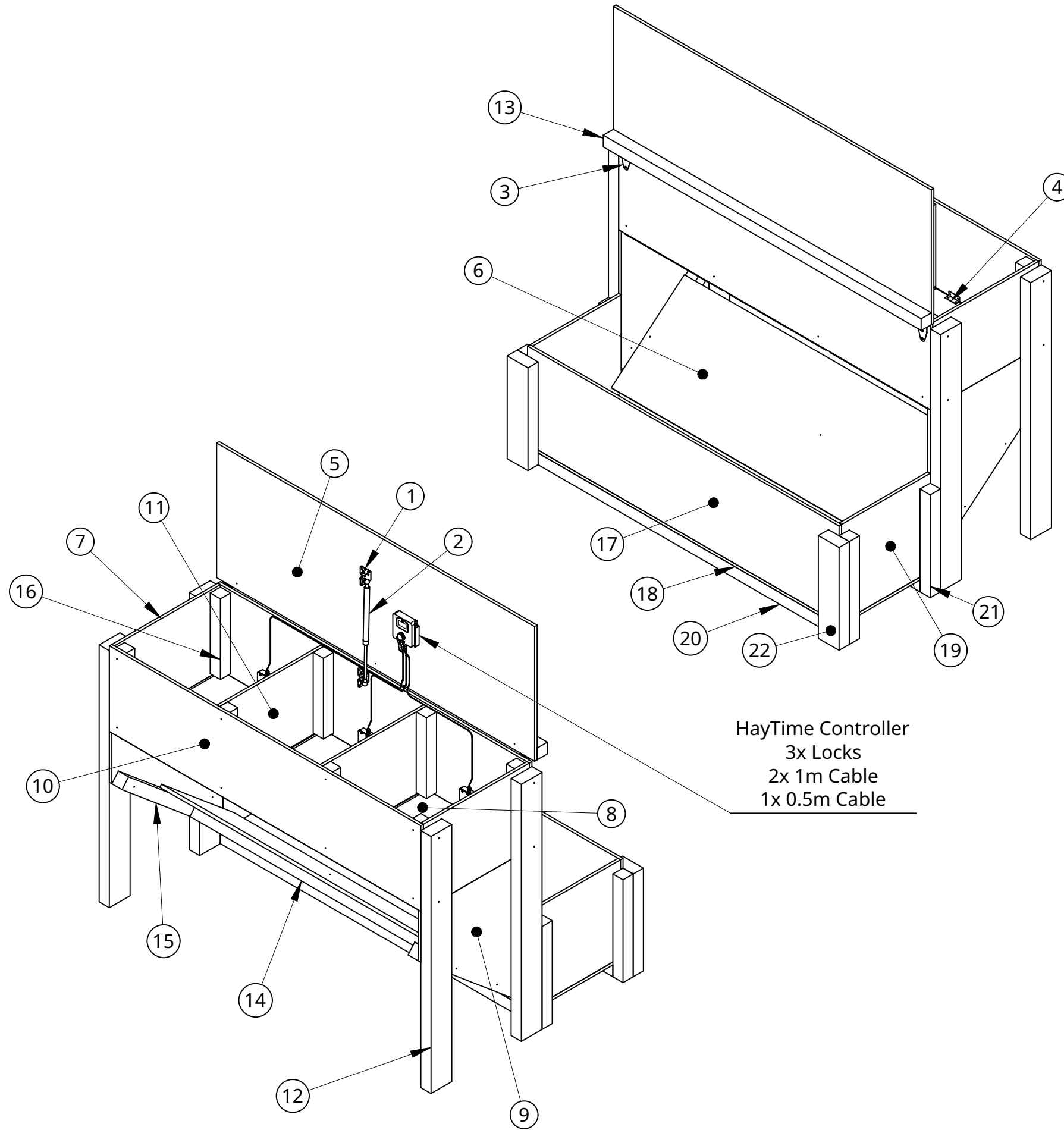


Designed to be used with 1x HayTime Controller

Screws:  
4x50 200pcs  
3x12 100pcs



HayTime Controller  
3x Locks  
2x 1m Cable  
1x 0.5m Cable

Item	Quantity	Part number	Description
1	2	Angle Bracket	50x50x35
2	1	Gas Spring	KS0116V
3	2	Hinge	Hinge 40x130
4	6	Hinge	Hinge 50x40
5	1	PW-1	Plywood 1500x550 T=12mm
6	1	PW-2	Plywood 1438x450 T=12mm
7	2	PW-3	Plywood 500x350 T=12mm
8	3	PW-4	Plywood 500x465 T=12mm
9	2	PW-5	Plywood 524x566 T=12mm
10	2	PW-6	Plywood 1470x350 T=12mm
11	2	PW-7	Plywood 500*335mm T=12mm
12	4	W-1	Wood 98x48 L=1050mm
13	1	W-2	Wood 48x48 L=1500mm
14	1	W-3	Wood 48x48 L=1340mm
15	2	W-4	Wood 48x48 L=650mm
16	8	W-5	Wood 48x48 L=330mm
17	1	PW-7	Plywood 1470x400 T=12mm
18	1	PW-8	Plywood 1470x430 T=12mm
19	2	PW-9	Plywood 418x400 T=12mm
20	2	W-6	48x48 L=1470
21	4	W-7	48x48 L=420
22	2	W-8	98x48 L=420

TITLE		DIY HayBox	
		Horizontal	
		3 Hay Releases	
Drawn by	DATE	SIZE	DWG NO.
MARKO RIDAL HayTime Oy	04/16/2026	A3	Horizontal 3 with trough
UNLESS OTHERWISE SPECIFIED, DIMENSIONS ARE IN MILLIMETERS		SCALE	1:15
		WEIGHT	
		SHEET	1 of 14

6 5 4 3 2 1

D

D

C

C

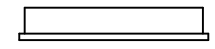
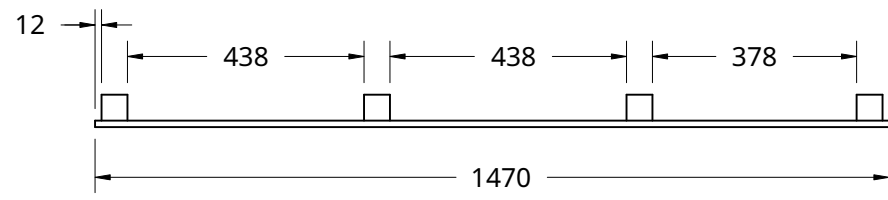
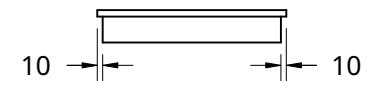
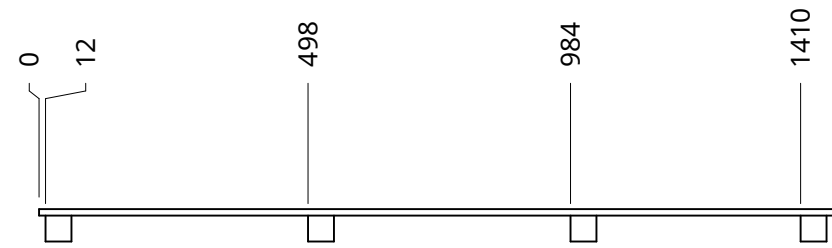
B

B

A

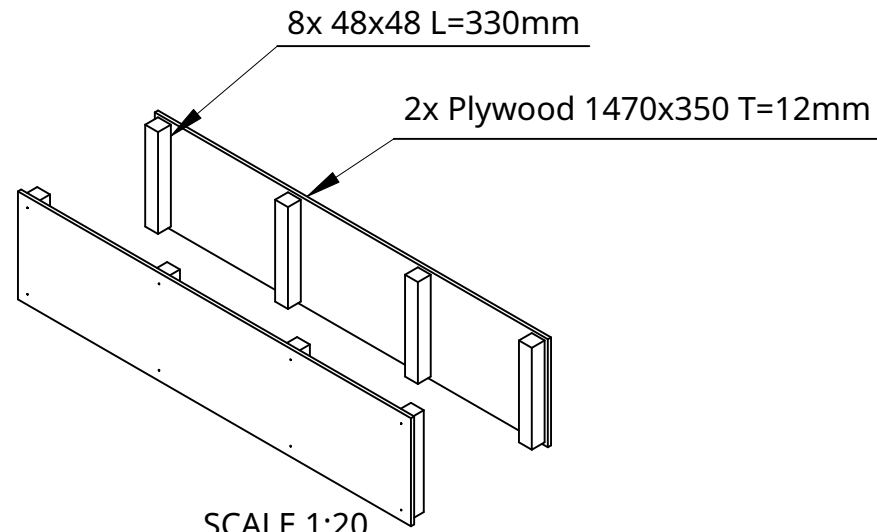
A

STEP 1



8x 48x48 L=330mm

2x Plywood 1470x350 T=12mm



Use screws with a max length of 55mm. Pre-drill holes trough plywood before screwing trough.

Drawn by	DATE
MARKO RIDAL HayTime Oy	04/16/2026

UNLESS OTHERWISE SPECIFIED, DIMENSIONS ARE IN MILLIMETERS

TITLE		DIY HayBox Horizontal 3 Hay Releases	
SIZE	DWG NO.	REV.	
SCALE 1:14		WEIGHT	SHEET 2 of 14
Horizontal 3			

6 5 4 3 2 1

6 5 4 3 2 1

D

D

C

C

B

B

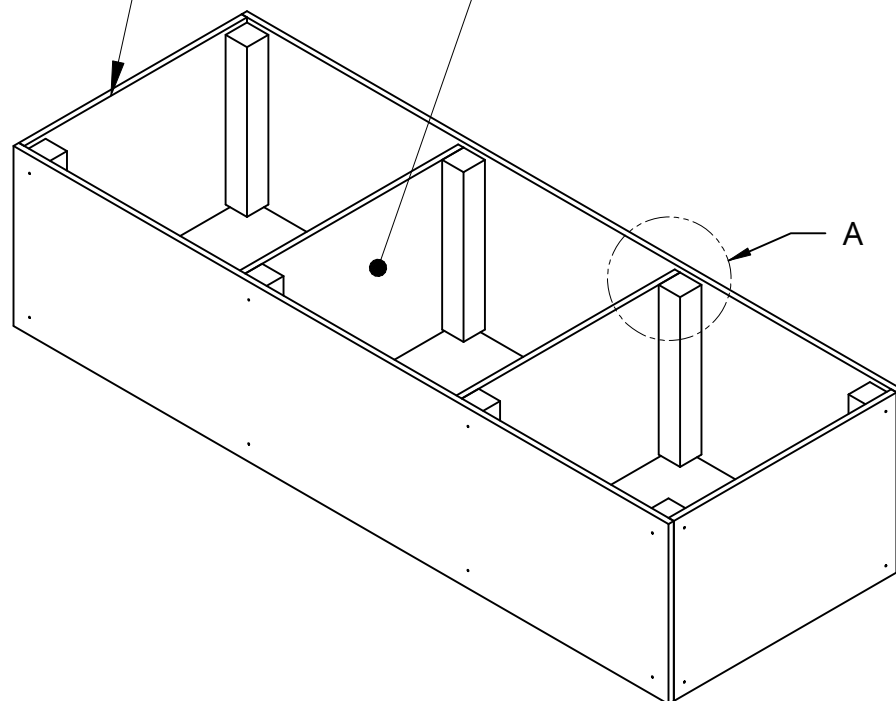
A

A

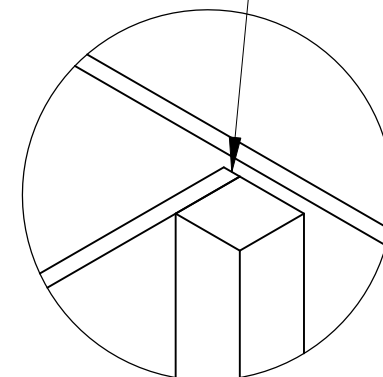
STEP 2

2x Plywood 500x350 T=12mm

2x Plywood 500\*335mm T=12mm



Attach the plywoods in the middle so that there is clearance for controller cables



DETAIL A  
SCALE 1:4

SCALE 1:12

Use screws with a max length of 55mm. Pre-drill holes trough plywood before screwing trough.

TITLE		DIY HayBox Horizontal 3 Hay Releases		
Drawn by	DATE	SIZE	DWG NO.	REV.
MARKO RIDAL HayTime Oy	04/16/2026		Horizontal 3	
SCALE 1:14		WEIGHT	SHEET 3 of 14	

UNLESS OTHERWISE SPECIFIED, DIMENSTONS ARE IN MILLIMETERS

6 5 4 3 2 1

6

5

4

3

2

1

STEP 3

D

D

C

C

2x Plywood 524\*566mm

B

B

4x 98\*48 L=1050

A

A

Use screws with a max length of 55mm. Pre-drill holes trough plywood before screwing trough.

Drawn by	DATE
MARKO RIDAL HayTime Oy	04/16/2026

UNLESS OTHERWISE SPECIFIED, DIMENSIONS ARE IN MILLIMETERS

TITLE		DIY HayBox Horizontal 3 Hay Releases	
SIZE	DWG NO.	Horizontal 3	
SCALE	WEIGHT	SHEET	4 of 14
1:14			

6

5

4

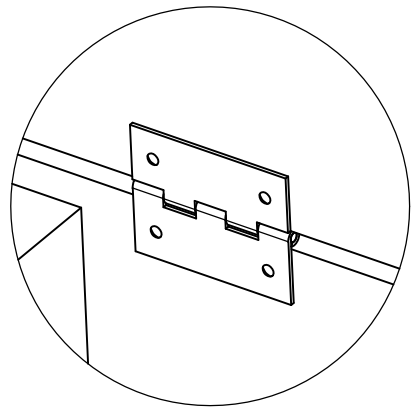
3

2

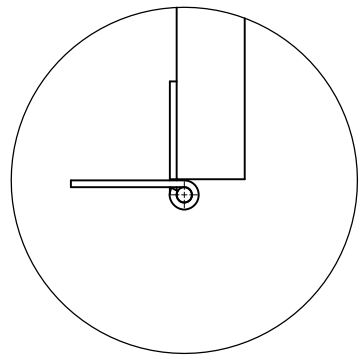
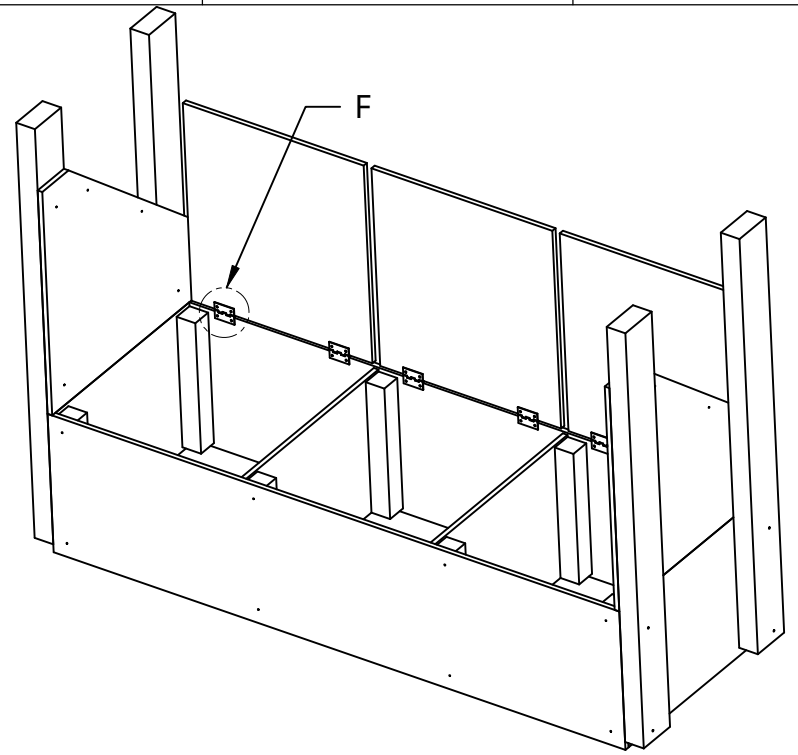
1

6 5 4 3 2 1

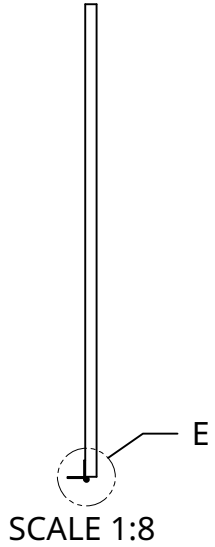
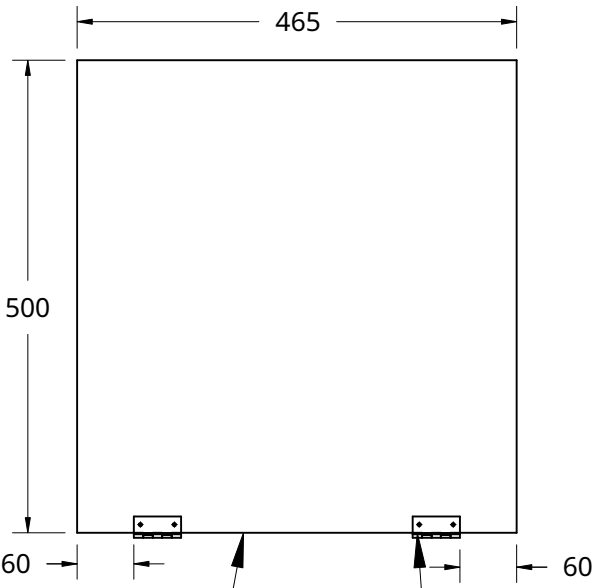
STEP 4



DETAIL F  
SCALE 1:2



DETAIL E  
SCALE 3:4



3x Plywood 500\*465mm

SCALE 1:8

6x Hinge 40x50  
or similar

For hinge assembly use screws with a max length of 12mm.

Drawn by	DATE
MARKO RIDAL HayTime Oy	04/16/2026
UNLESS OTHERWISE SPECIFIED, DIMENSIONS ARE IN MILLIMETERS	

TITLE		DIY HayBox Horizontal 3 Hay Releases	
SIZE	DWG NO.	Horizontal 3	
SCALE	WEIGHT	SHEET	5 of 14
1:14			

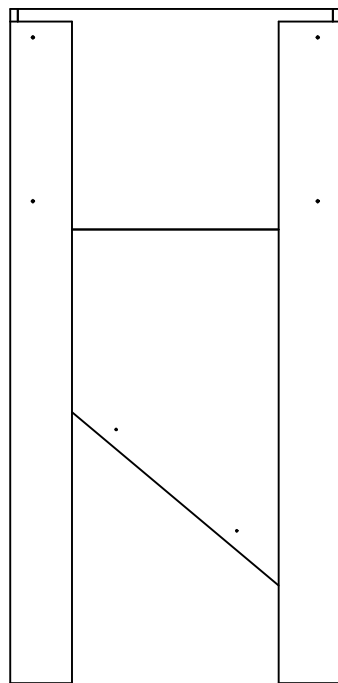
6 5 4 3 2 1

D  
C  
B  
A

D  
C  
B  
A

6 5 4 3 2 1

STEP 5



SCALE 1:12

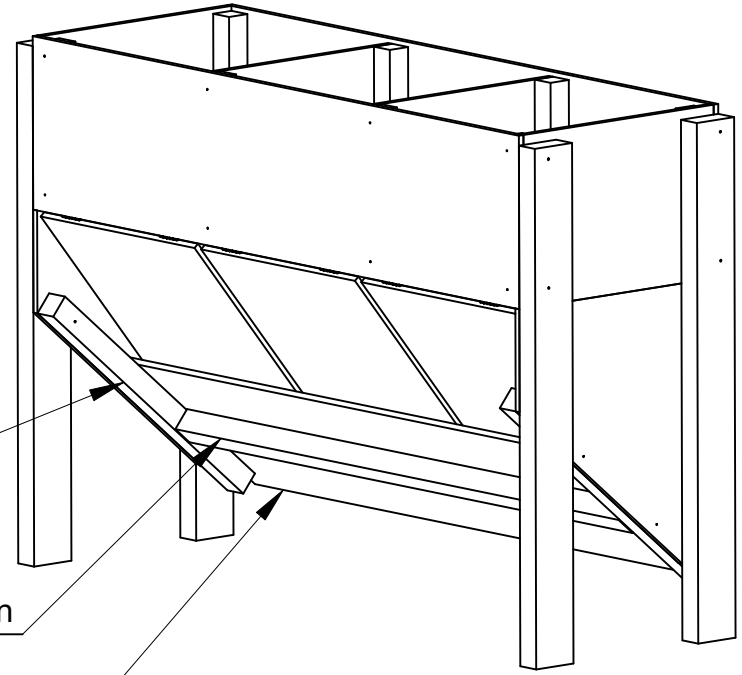
Use screws with a max length of 55mm. Pre-drill holes trough plywood before screwing trough.

2x 48\*48 L=650

Wood 48x48 L=1340mm

Plywood 1438x450 T=12mm

Change this dimension based on your requirements



D

C

B

A

6 5 4 3 2 1

Drawn by	DATE
MARKO RIDAL HayTime Oy	04/16/2026
UNLESS OTHERWISE SPECIFIED, DIMENSIONS ARE IN MILLIMETERS	

TITLE		DIY HayBox Horizontal 3 Hay Releases	
SIZE	DWG NO.	Horizontal 3	
SCALE	WEIGHT	SHEET	6 of 14
1:15			

6 5 4 3 2 1

D

D

C

C

B

B

A

A

STEP 6

Plywood 1500x550 T=12mm

Wood 48x48 L=1500mm

2x Hinge 40x130

K

15

DETAIL K  
SCALE 1:5

For hinge assembly use screws with a max length of **50mm**. Pre-drill holes trough plywood before screwing trough.

TITLE		DIY HayBox Horizontal 3 Hay Releases		
Drawn by	DATE	SIZE	DWG. NO.	REV.
MARKO RIDAL HayTime Oy	04/16/2026		Horizontal 3	
SCALE 1:20		WEIGHT	SHEET 7 of 14	
UNLESS OTHERWISE SPECIFIED, DIMENSIONS ARE IN MILLIMETERS				

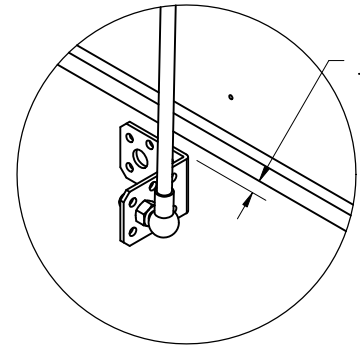
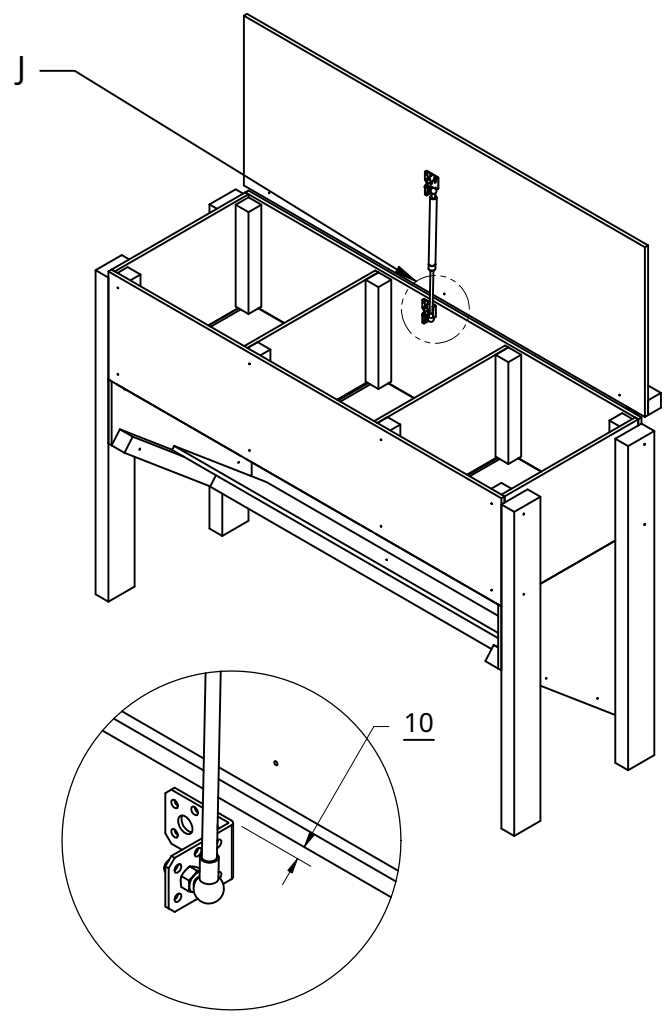
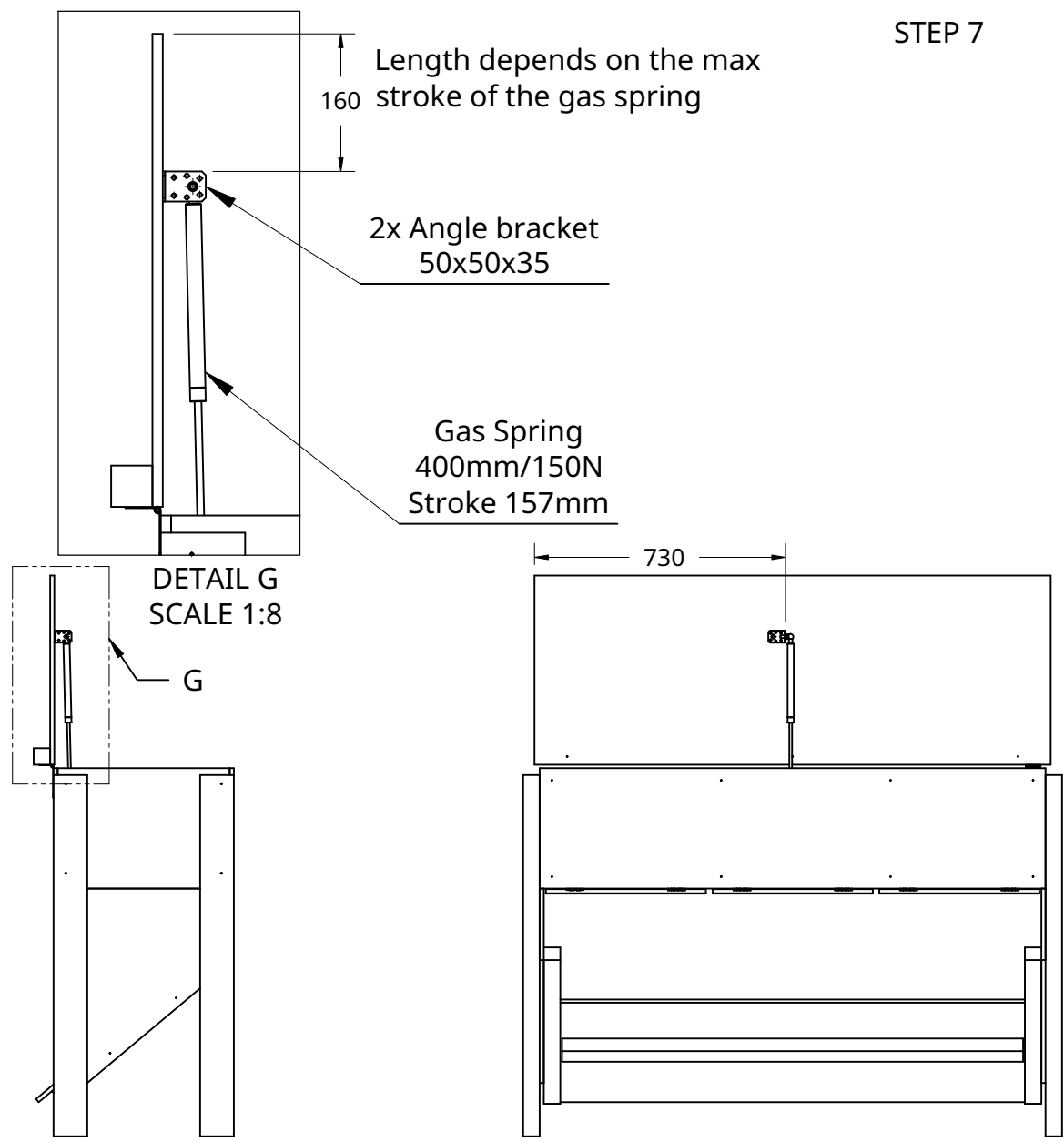
6 5 4 3 2 1

6 5 4 3 2 1

STEP 7

D  
C  
B  
A

D  
C  
B  
A



DETAIL J  
SCALE 1:4

For plywood use screws with a max length of 12mm.

Drawn by		DATE		TITLE	
MARKO RIDAL HayTime Oy		04/16/2026		DIY HayBox Horizontal 3 Hay Releases	
UNLESS OTHERWISE SPECIFIED, DIMENSIONS ARE IN MILLIMETERS		SIZE	DWG NO.	REV.	
		Horizontal 3			
SCALE	1:20	WEIGHT	SHEET		8 of 14

6 5 4 3 2 1

6

5

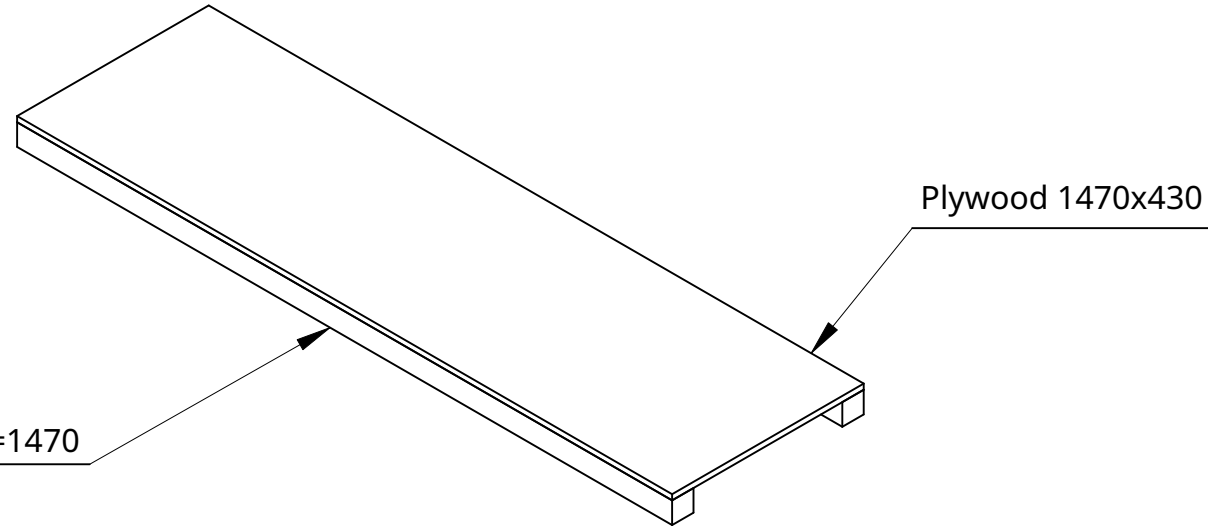
4

3

2

1

STEP 8



2x 48x48 L=1470

Plywood 1470x430

SCALE 1:12

D

D

C

C

B

B

A

A

Use screws with a max length of 55mm. Pre-drill holes trough plywood before screwing trough.

Drawn by	DATE
MARKO RIDAL HayTime Oy	04/16/2026

UNLESS OTHERWISE SPECIFIED, DIMENSIONS ARE IN MILLIMETERS

TITLE		DIY HayBox Horizontal 3 Hay Releases	
SIZE	DWG NO.	Trough 1.5m	
SCALE	WEIGHT	SHEET	REV.
1:10		9 of 14	

6

5

4

3

2

1

6

5

4

3

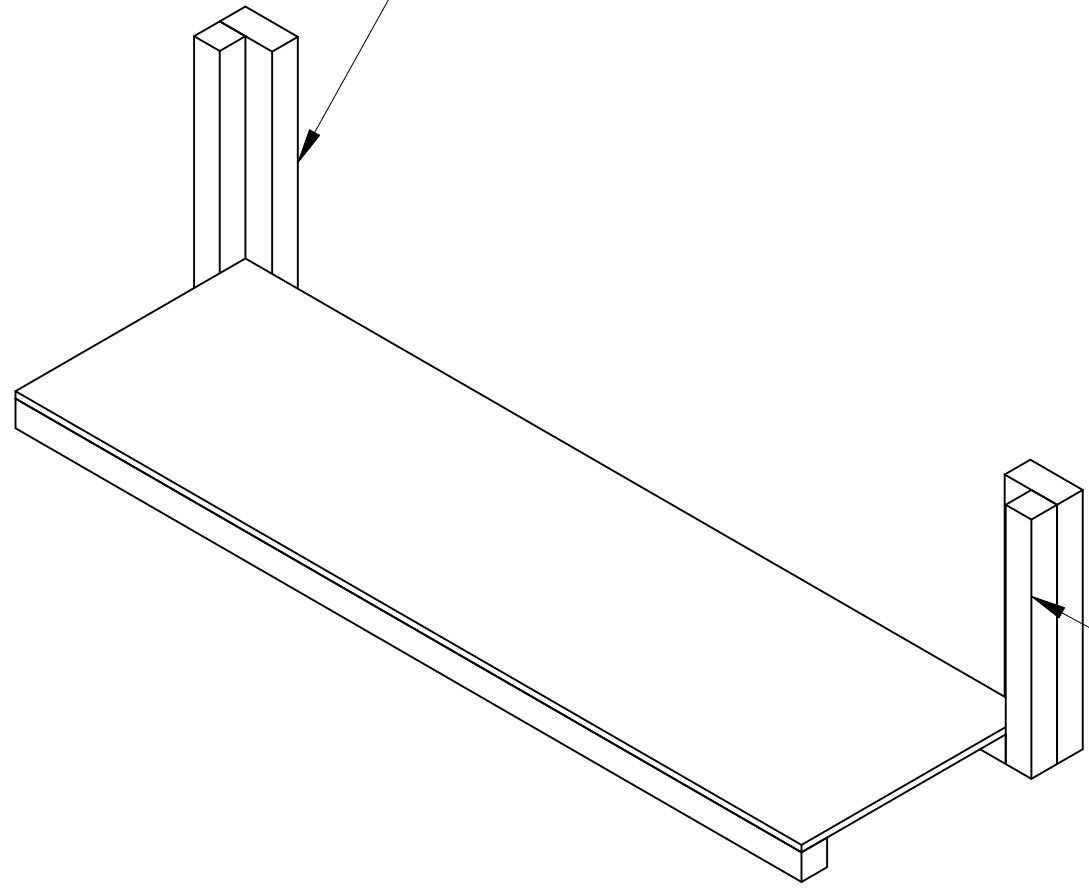
2

1

STEP 9

2x 98x48 L=420

2x 48x48 L=420



D

D

C

C

B

B

A

A

6

5

4

3

2

1

Drawn by	DATE
MARKO RIDAL HayTime Oy	04/16/2026

UNLESS OTHERWISE SPECIFIED, DIMENSIONS ARE IN MILLIMETERS

TITLE		DIY HayBox Horizontal 3 Hay Releases	
SIZE	DWG NO.	Trough 1.5m	
SCALE	WEIGHT	SHEET	
1:10		10 of 14	

6

5

4

3

2

1

STEP 10

D

D

C

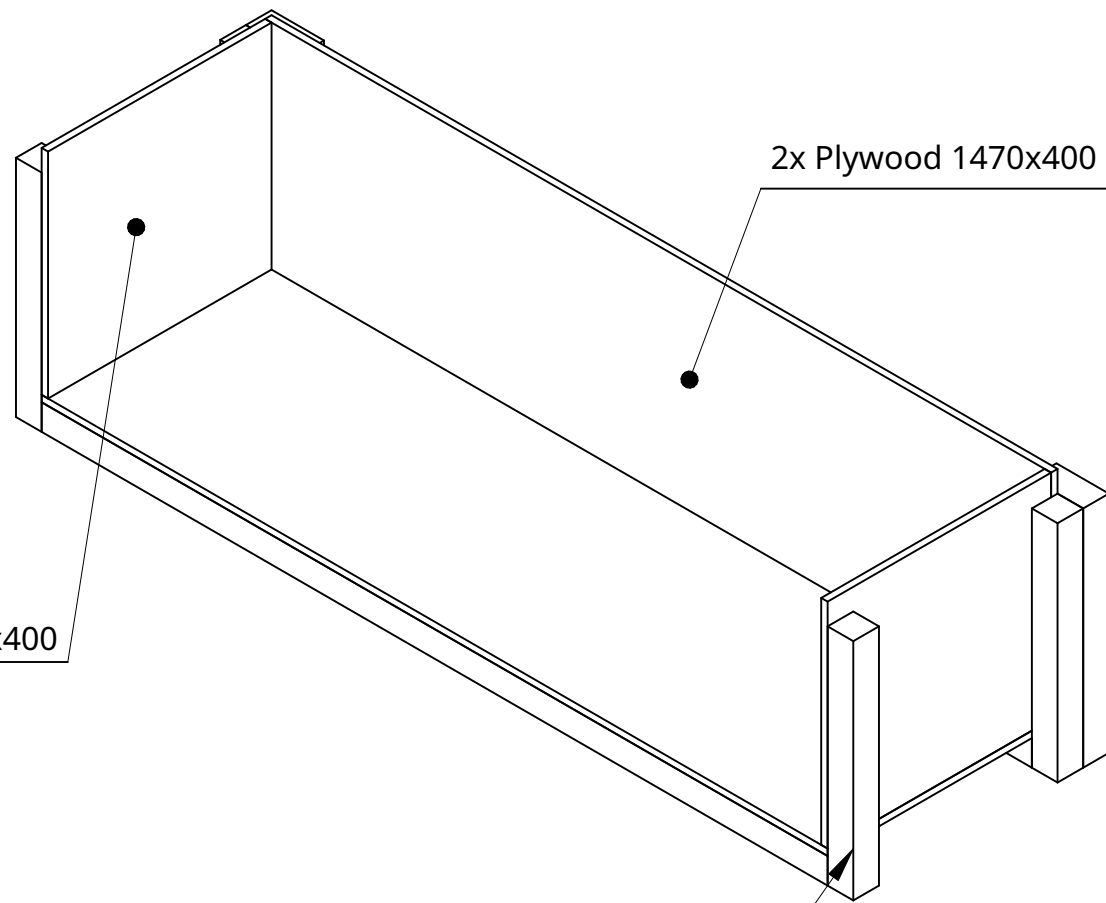
C

B

B

A

A



2x Plywood 1470x400

2x 418x400

2x 48x48 L=420

Use screws with a max length of 55mm. Pre-drill holes trough plywood before screwing trough.

Drawn by	DATE
MARKO RIDAL HayTime Oy	04/16/2026

UNLESS OTHERWISE SPECIFIED, DIMENSIONS ARE IN MILLIMETERS

TITLE		DIY HayBox Horizontal 3 Hay Releases	
SIZE	DWG NO.	Trough 1.5m	
SCALE	WEIGHT	SHEET	REV.
1:10		11 of 14	

6

5

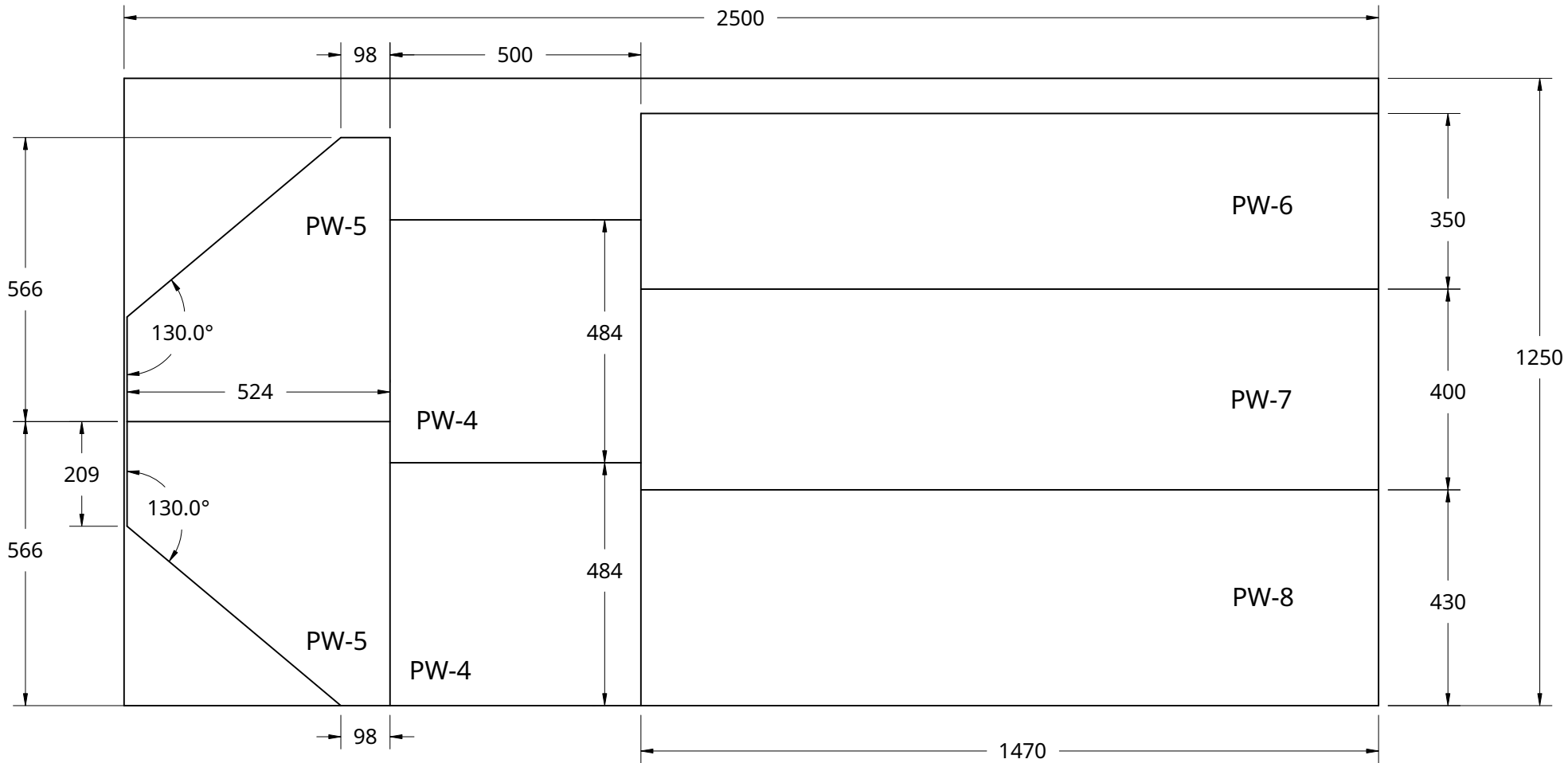
4

3

2

1

Horizontal 3 with Trough Cutlist A



Drawn by		DATE		TITLE	
MARKO RIDAL		04/16/2026		DIY HayBox	
HayTime Oy				Horizontal	
UNLESS OTHERWISE SPECIFIED, DIMENSIONS ARE IN MILLIMETERS		SIZE	DWGNO.	REV.	
		Horizontal 3 with trough			
SCALE	1:12	WEIGHT	SHEET		12 of 14

6

5

4

3

2

1

D

D

C

C

B

B

A

A

6

5

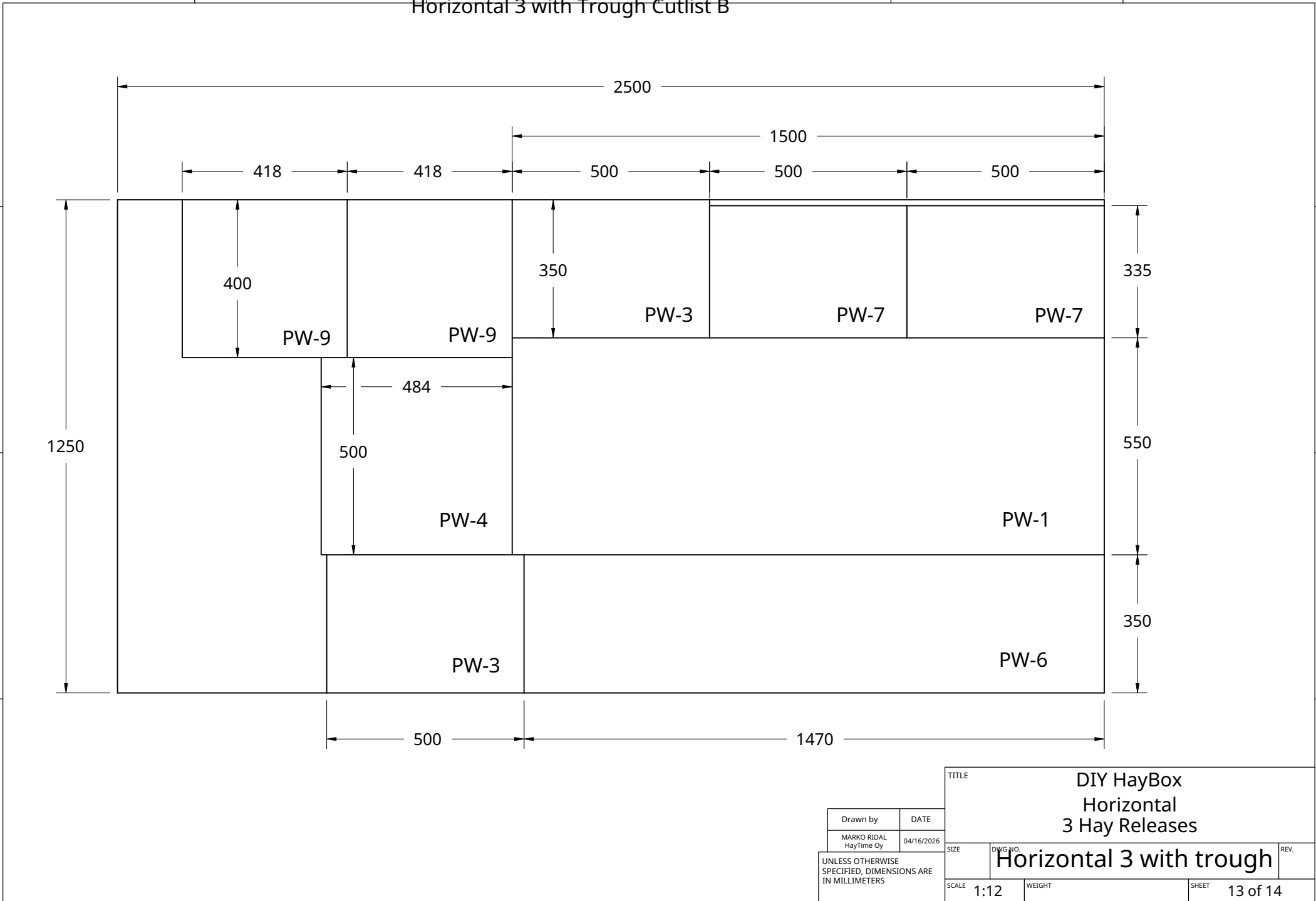
4

3

2

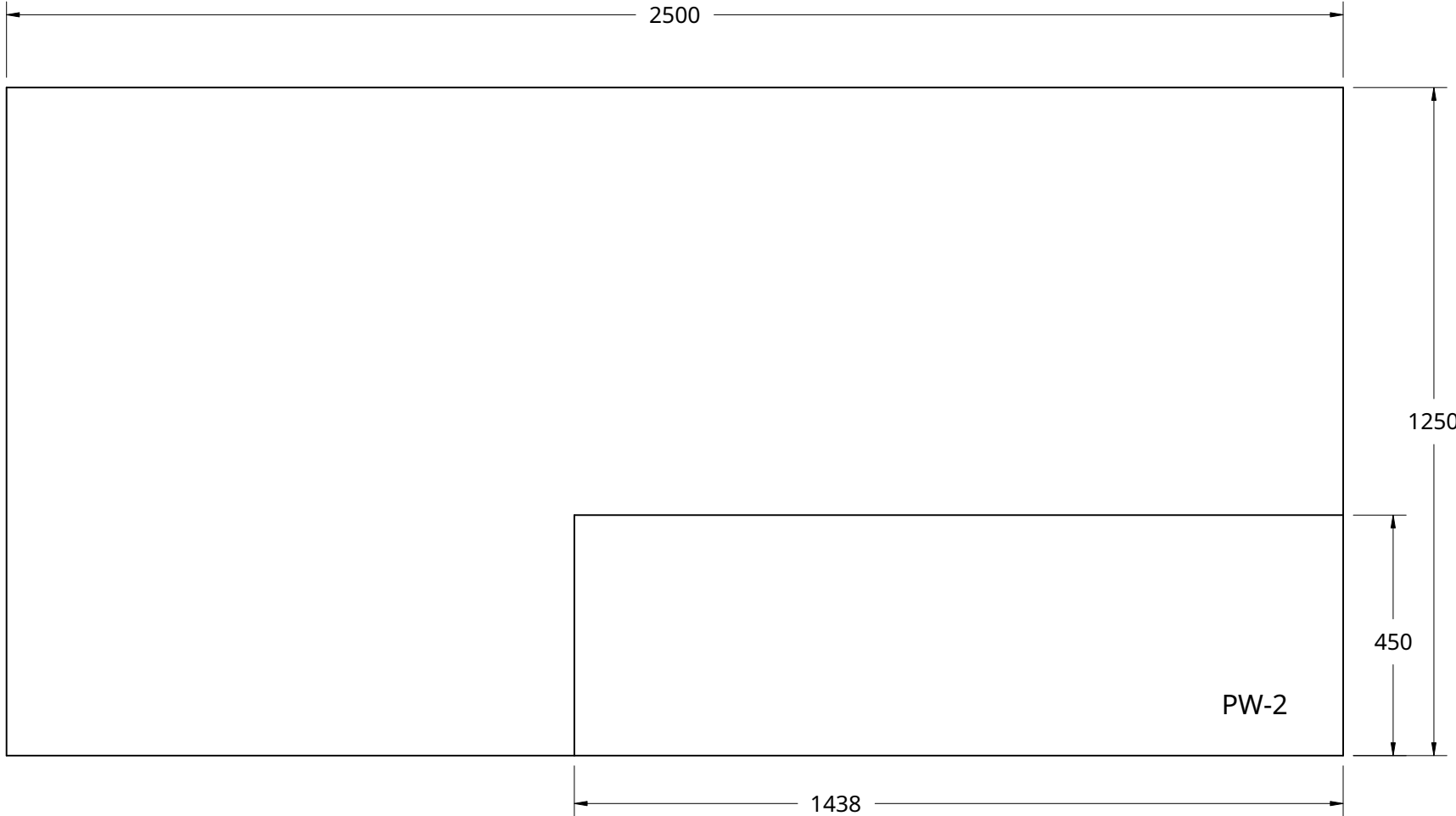
1

Horizontal 3 with Trough Cutlist B



Drawn by		DATE		TITLE DIY HayBox Horizontal 3 Hay Releases	
MARKO RIDAL HayTime Oy		04/16/2026			
UNLESS OTHERWISE SPECIFIED, DIMENSIONS ARE IN MILLIMETERS		SIZE	DWG NO.		REV.
		Horizontal 3 with trough			
SCALE	1:12	WEIGHT	SHEET		13 of 14

Horizontal 3 with Trough Cutlist C



Drawn by		DATE		TITLE	
MARKO RIDAL		04/16/2026		DIY HayBox	
HayTime Oy				Horizontal	
UNLESS OTHERWISE SPECIFIED, DIMENSIONS ARE IN MILLIMETERS		SIZE	DWG NO.	Horizontal 3 with trough	
		SCALE	WEIGHT	SHEET	REV.
		1:12		14 of 14	

6 5 4 3 2 1

D

D

C

C

B

B

A

A

6 5 4 3 2 1